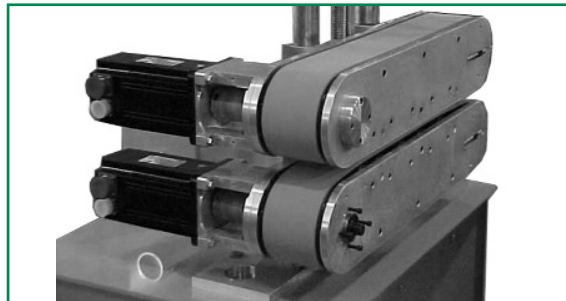


**PRECISION BELT PULLERS  
MODELS 30-20, 4-26 AND 6-39**

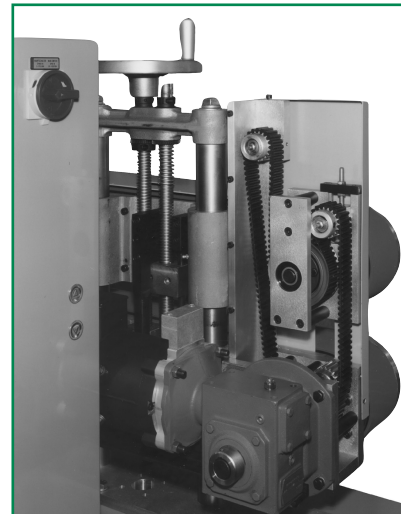


Model 3-20 Puller

- Application Versatility
- Consistent Quality
- Optimum Productivity
- Operational Safety
- Rugged Durability
- Simplified Service



High speed dual servo drive up to 2000 feet/min



New belt standard drive

***SMOOTH, RELIABLE TAKE-OFFS FOR TUBING AND PROFILES***

Conair's Precision Belt Pullers offer low installation costs plus exceptional application versatility.

Conair offers three standard models, with a variety of attractive options. A choice of belt widths, contact lengths, torque ratings, entrance openings, and belt coverings broaden application possibilities while minimizing deformed product.

With superior tracking capabilities and low-drift motor-speed controls, these Pullers provide rock-steady accuracy and smooth precision. Less resin giveaway, reduced waste, and far fewer rejected parts provide consistent quality. Precise speed controls, easily adjusted belts, and various options insure optimum operator productivity.

Operator safeguards include OSHA color-coded cautions, the adjustable entrance guides that allow walk-through operation, and an emergency stop.

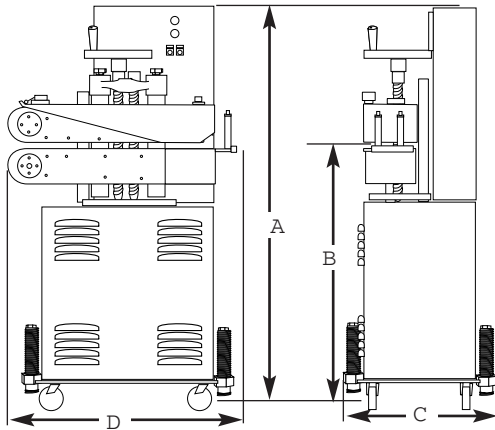
These smooth, reliable pullers feature components that are selected for long life, yet readily accessible for any required maintenance. The heavy-duty cabinet, leveling floor locks and casters and optional Servo drives add further to the guaranteed reliability.



**SPECIFICATIONS**

**BELT PULLERS**

**PRECISION BELT PULLERS  
MODELS 3-20, 4-26 AND 6-39**



| MODELS                                  | 3-20  |                                    |                                    | 4-26   |   |  | 6-39   |   |  |      |             |      |
|---|---|------------------------------------|------------------------------------|--|---|--|--|---|--|------|-------------|------|
| Performance characteristics             |   |                                    |                                    |  |   |  |  |   |  |      |             |      |
| Belt width in. {mm}                     | 3 {76}  |                                    |                                    | 4 {102}; optional 6 {152}                        |   |  | 6 {152}; optional 8 {203}                        |   |  |      |             |      |
| Belt contact length in. {mm}            | 20 {508}  |                                    |                                    | 26 {660}   |   |  | 39 {991}   |   |  |      |             |      |
| Maximum feed opening in. {mm}           | 4 {102}   |                                    |                                    | 5 {127}  |   |  | 7 {178}  |   |  |      |             |      |
| Motor Drives Hp                         | 1.0; optional 1.5   |                                    |                                    | 1.5; optional 2.0                                |   |  | 2.0  |   |  |      |             |      |
| Belt drive                              | 1.0; optional 1.5   |                                    |                                    | 1.5; optional 2.0                                |   |  | 2.0  |   |  |      |             |      |
| Servo drive (optional)                  | 2.4   |                                    |                                    | 2.4  |   |  | 2.4  |   |  |      |             |      |
| Vertical drive                          | NA  |                                    |                                    | NA   |   |  | optional 3.0*                                    |   |  |      |             |      |
| Belt type†                              | Poly V, 40/50 durometer natural rubber covering/Precision flat option |                                    |                                    |  |   |  |  |   |  |      |             |      |
| Belt speeds - Drive type                | open loop vector  | closed loop vector                 | velocity servo drive               | open loop vector                                 | closed loop vector                              | velocity servo drive   | open loop vector                                 | closed loop vector                              | velocity servo                                   |      |             |      |
| Available speeds feet/min               | 2.6 - 80<br>5.3 - 160<br>10.6 - 320                                   | 1.6 - 80<br>3.2 - 160<br>6.4 - 320 | 0.8 - 80<br>1.6 - 160<br>3.2 - 320 | 1.9 - 59<br>3.9 - 118<br>7.8 - 236<br>15.7 - 472 | 1.1 - 59<br>2.3 - 118<br>4.7 - 236<br>9.4 - 472 | 0.5 - 59<br>1.2 - 118<br>2.3 - 236<br>4.7 - 472<br>8.0 - 800<br>14 - 1400<br>20 - 2000 ‡ | 1.9 - 59<br>3.9 - 118<br>7.8 - 236<br>15.7 - 472 | 1.1 - 59<br>2.3 - 118<br>4.7 - 236<br>9.4 - 472 | 0.59 - 59<br>1.2 - 118<br>2.3 - 236<br>4.7 - 472 |      |             |      |
| Dimensions inches {mm}                  |   |                                    |                                    |  |   |  |  |   |  |      |             |      |
| A - Overall height                      | 62 {1575}   |                                    |                                    | 60 {1524}  |   |  | 60 {1524}  |   |  |      |             |      |
| B - Height to centerline                | 42 ±2 {1016 ±50.8}  |                                    |                                    | 42 ±2 {1067 ±50.8}                               |   |  | 42 ±2 {1016 ±50.8}                               |   |  |      |             |      |
| C - Width                               | 34 {864}  |                                    |                                    | 34 {864}   |   |  | 37 {940}   |   |  |      |             |      |
| D - Length                              | 34 {864}  |                                    |                                    | 34 {864}   |   |  | 50 {1270}  |   |  |      |             |      |
| Weight lb {kg}                          |   |                                    |                                    |  |   |  |  |   |  |      |             |      |
| Installed                               | 840 {381}   |                                    |                                    | 920 {417}  |   |  | 1410 {639}                                       |   |  |      |             |      |
| Shipping                                | 990 {449}   |                                    |                                    | 1070 {485}                                       |   |  | 1560 {707}                                       |   |  |      |             |      |
| Electrical requirements Full Load Amps§ |   |                                    |                                    |  |   |  |  |   |  |      |             |      |
| Drive type                              | Open loop   |                                    | Closed loop                        |  | Open loop                                       |  | Closed loop                                      |   | Open loop  |      | Closed loop |      |
|   | 1 Hp  | 1.5 Hp                             | 1 Hp                               | 1.5 Hp   | 1.5 Hp  | 2 Hp   | 1.5 Hp   | 2 Hp  | 2 Hp   | 3 Hp | 2 Hp        | 3 Hp |
| 230V/3 phase/60 Hz                      | 5.9   | 10                                 | 8.4                                | 10.4   | 10  | 10   | 10.4   | 12.9  | 10   | 13.5 | 12.9        | 12.9 |
| 460V/3 phase/60 Hz                      | 3.8   | 6.6                                | 3.3                                | 3.4  | 6.6   | 6.6  | 3.4  | 5.7   | 6.6  | 9.5  | 5.7         | 8.6  |

**SPECIFICATION NOTES:**

Specifications can change without notice. Contact a Conair representative for the most current information.

\* See chart to the right to select drive type and belt speed range for the optional 3 Hp motor drive on Model 6-39.

† Flat belts are available as an option. Optional belt coverings include: 40, 55 and 70 durometer natural rubber; and 60 durometer white nitrile (FDA).

‡ Speed achieved with use of (2) 2.4 Hp servo drive motors.

§ Amp draws increase for the optional 3 Hp drive motor available on Model 6-39.

| Optional belt speeds for 3 Hp motor drive on Model 6-39 |  |  |
|---|--|--|
| Drive Type  | open loop vector                               | closed loop vector                             |
| available speeds feet/min                               | 2.0 - 60<br>2.6 - 80<br>4.0 - 120<br>8.0 - 240 | 1.2 - 60<br>1.6 - 80<br>2.4 - 120<br>4.8 - 240 |

